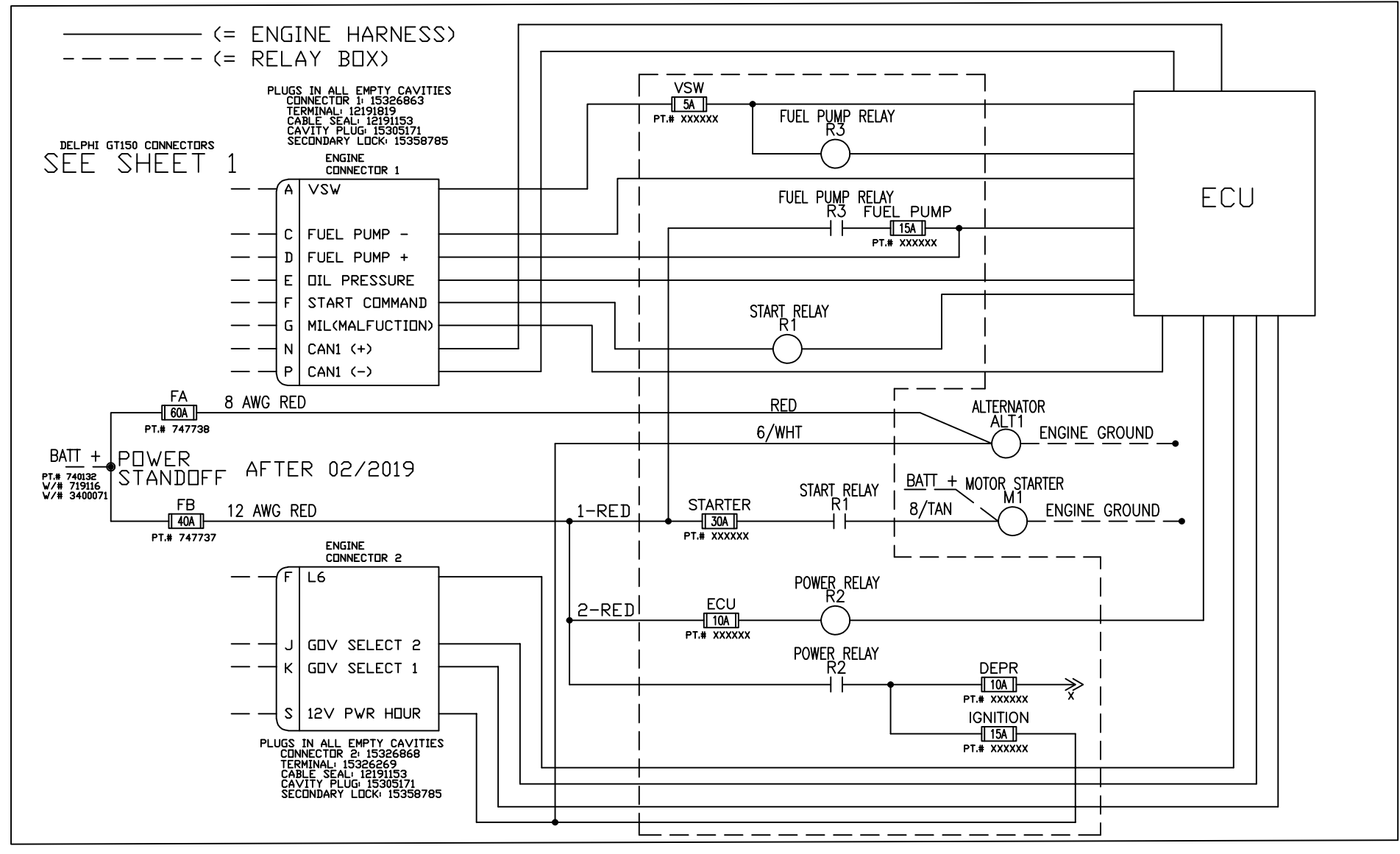


(GAS/LP ONLY)



CONFIDENTIAL

THIS DRAWING AND ALL INFORMATION CONTAINED THEREIN ARE THE EXCLUSIVE PROPERTY OF MINUTEMAN INTERNATIONAL, INC. THIS DRAWING IS NOT TO BE COPIED OR OTHERWISE REPRODUCED WITHOUT EXPRESSED WRITTEN PERMISSION OF MINUTEMAN INTERNATIONAL, INC. IN ADDITION, THIS DRAWING MUST BE RETURNED UPON REQUEST. FURTHER, ALL INFORMATION CONTAINED HEREIN MUST BE MAINTAINED CONFIDENTIAL.

TITLE		NAUTILUS PT. TO PT. DIAGRAM		SCALE	NTS
MATERIAL		N/A		FINISH	
				N/A	
TOLERANCES (UNLESS OTHERWISE SPECIFIED)			REMOVE BURRS AND BREAK SHARP EDGES .005/.020		
0-1"	± 1/16	.000 ± .005	SIZE	DRAWN BY	DATE
>1-12"	± 1/4"	.00 ± .010	B	MB	12/20/13
<12"	± 1/2"	ANGLES ± 30'	CHECKED BY	JWP	DATE
					12/20/13
REV		E.C.N.		DATE	
BY		CHK		BY	

14N845 U.S. ROUTE 20
 PINGREE GROVE, IL 60140

P.N. 748992
 SHEET 6 OF 6

REV M